







<p>İGS-2001</p> 	<p>İGS-2002</p> 	<p>İGS-2003</p> 	<p>İGS-2004</p> 
<p>ROCK VALVE DN210-180</p>	<p>ROCK VALVE DN220-180</p>	<p>SLEWING SHAFT SHORT</p>	<p>SLEWING SHAFT</p>

<p>İGS-2005</p> 	<p>İGS-2006</p> 	<p>İGS-2007</p> 	<p>İGS-2008</p> 
<p>BOLT</p>	<p>KIDNEY SEALING DN180</p>	<p>PRESSURE SPRING DN210</p>	<p>BEARING BUSH</p>

<p>İGS-2009</p> 	<p>İGS-2010</p> 	<p>İGS-2011</p> 	<p>İGS-2012</p> 
<p>BEARING BUSH</p>	<p>TENSION NUT</p>	<p>SETTING DISC</p>	<p>SEALING COVER</p>

İGS-2013



SLEWING LEVER

İGS-2014



SEALING COVER

İGS-2015



PIN

İGS-2016



COVER

İGS-2017



SLEWING PIVOT

İGS-2018



SLEWING PIVOT

İGS-2019



BUSHING

İGS-2020



BOLT

İGS-2021



BUSHING SPLIT

İGS-2022



CLAMP

İGS-2023



SLEWING CYLINDER

İGS-2024



SLEWING CYLINDER

İGS-2025



CYLINDER HEAD

İGS-2026



CYLINDER HEAD

İGS-2027



PROTECTING TUBE

İGS-2028



TENSION RING

İGS-2029



CYLINDER SUPPORT

İGS-2030



ROD EYE

İGS-2031



CYLINDER TUBE

İGS-2032



PISTON ROD

İGS-2033



SEAL SET



<p>İGS-2034</p> 	<p>İGS-2035</p> 	<p>İGS-2036</p> 	<p>İGS-2037</p> 
<p>HOUSING LINING</p>	<p>WEARING INSERT DN200</p>	<p>WEARING INSERT DN230</p>	<p>WEARING INSERT DN250</p>

<p>İGS-2038</p> 	<p>İGS-2039</p> 	<p>İGS-2040</p> 	<p>İGS-2041</p> 
<p>BASE PLATE</p>	<p>CUTTING RING DN210</p>	<p>CUTTING RING DN220</p>	<p>PUMI WEARING INSERT DN150</p>

<p>İGS-2042</p> 	<p>İGS-2043</p> 	<p>İGS-2044</p> 	<p>İGS-2045</p> 
<p>PUMI WEARING INSERT DN160</p>	<p>CLOSURE DN250</p>	<p>SEALING RING</p>	<p>CLAMPING PIECE LEFT</p>

İGS-2046



CLAMPING PIECE RIGHT

İGS-2047



SEALING DN250

İGS-2048

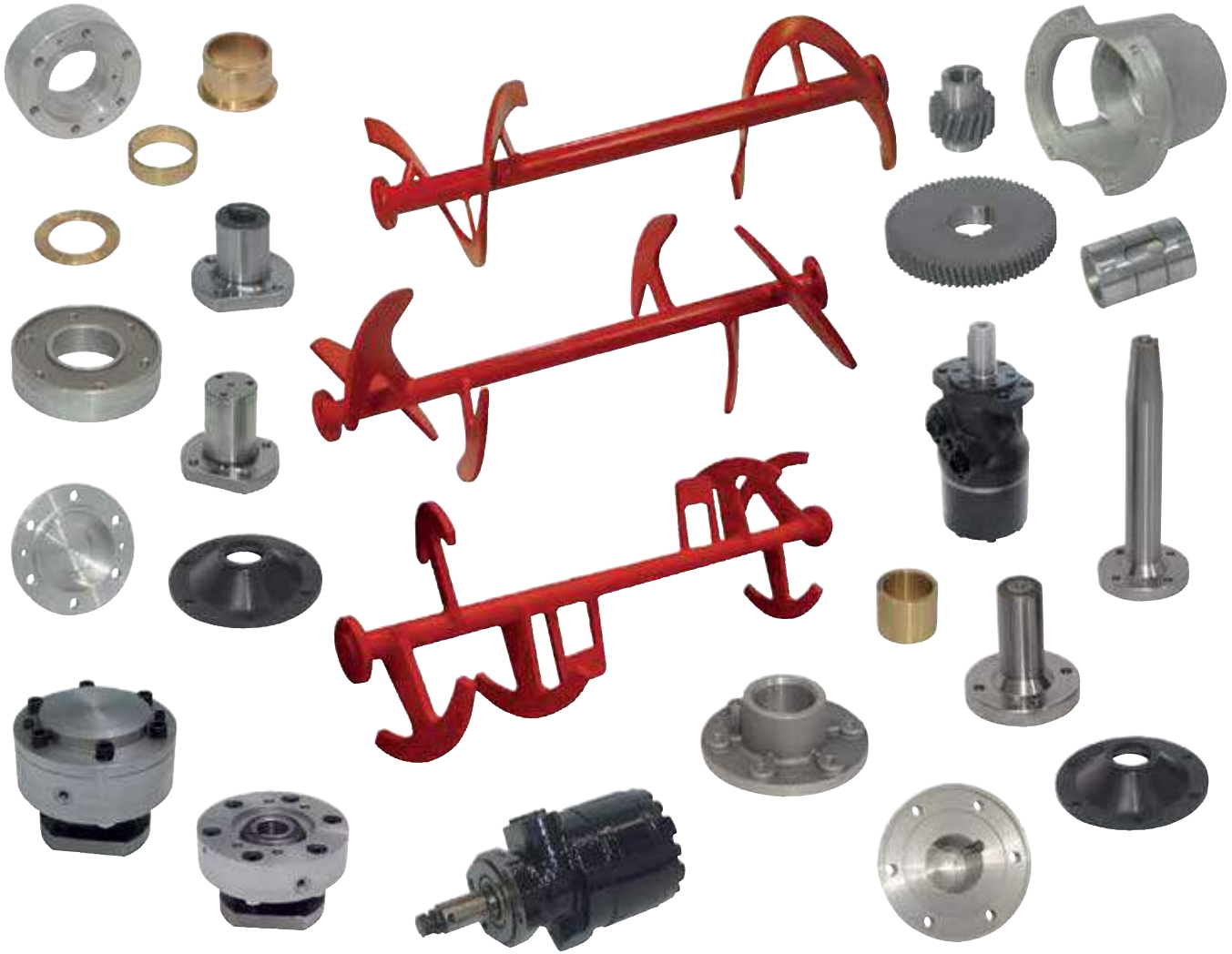



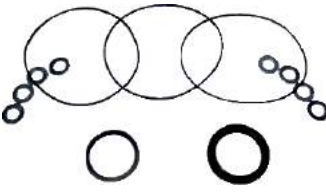


TRANSITION PIECE
DN200

İGS-2049



TRANSITION PIECE DN230





<p>İGS-2050</p> 	<p>İGS-2051</p> 	<p>İGS-2052</p> 	<p>İGS-2053</p> 
<p>HYDRAULIC MOTOR</p>	<p>SEAL SET</p>	<p>BEARING</p>	<p>SUPPORT</p>

<p>İGS-2054</p> 	<p>İGS-2055</p> 	<p>İGS-2056</p> 	<p>İGS-2057</p> 
<p>BUSHING</p>	<p>ORING</p>	<p>SEALING</p>	<p>FLANGED SHAFT</p>

<p>İGS-2058</p> 	<p>İGS-2059</p> 	<p>İGS-2060</p> 	<p>İGS-2061</p> 
<p>AGITATOR BEARING</p>	<p>FLANGED SHAFT</p>	<p>SPORT</p>	<p>SUPPORTING COVER</p>

<p>İGS-2062</p> 	<p>İGS-2063</p> 	<p>İGS-2064</p> 	<p>İGS-2065</p> 
<p>DISC</p>	<p>DISC</p>	<p>FLANGE BUSHING</p>	<p>FLANGED SHAFT BEARING SIDE</p>

<p>İGS-2066</p> 	<p>İGS-2067</p> 	<p>İGS-2068</p> 	<p>İGS-2069</p> 
<p>FLANGED SHAFT GEAR SIDE</p>	<p>COMPLETE GEAR BOX NEW</p>	<p>AGITATOR SHAFT COMPLETE</p>	<p>WATER PUMP</p>

<p>İGS-2070</p> 	<p>İGS-2071</p> 	<p>İGS-2072</p> 	<p>İGS-2073</p> 
<p>SEAL KIT FOR WATER PUMP</p>	<p>CLAMPING PIECE RIGHT</p>	<p>HNGE</p>	<p>COMPLETE GEAR BOX NEW</p>

İGS-2074



CONVEYING CYLINDER
200X219X1575

İGS-2075



CONVEYING CYLINDER
200X219X1776

İGS-2076



CONVEYING CYLINDER
200X219X2125

İGS-2077



CONVEYING CYLINDER
230 X 254 X 2125

İGS-2078







CONVEYING CYLINDER
250X273X2635

<p>iGS-2081</p> 	<p>iGS-2082</p> 	<p>iGS-2083</p> 	<p>iGS-2084</p> 
<p>PUMPING PISTON DN180</p>	<p>PUMPING PISTON DN200</p>	<p>PUMPING PISTON DN230</p>	<p>PUMPING PISTON DN250</p>

<p>iGS-2085</p> 	<p>iGS-2086</p> 	<p>iGS-2087</p> 	<p>iGS-2088</p> 
<p>HYDRAULIC PISTON</p>	<p>COUPLING GEAR</p>	<p>COUPLING GEAR</p>	<p>COUPLING GEAR</p>

<p>iGS-2089</p> 	<p>iGS-2090</p> 	<p>iGS-2091</p> 
<p>COUPLING GEAR</p>	<p>COUPLING PIECE</p>	<p>EMERGENCY PUSH BUTTON</p>

<p>İGS-2092</p> 	<p>İGS-2093</p> 	<p>İGS-2094</p> 	<p>İGS-2095</p> 
<p>REMOTE CONTROL</p>	<p>VALVE CARTRIDGE PULSAR</p>	<p>FILTER ELEMENT</p>	<p>FILTER ELEMENT</p>

<p>İGS-2096</p> 	<p>İGS-2097</p> 	<p>İGS-2098</p> 	<p>İGS-2099</p> 
<p>BATTERY 7.2 V</p>	<p>OUTLET ELBOW 14 DEG.</p>	<p>REDUCTION ELBOW</p>	<p>ELBOW DN150</p>

SCHWING

<p>İGS-2100</p> 	<p>İGS-2101</p> 	<p>İGS-2102</p> 	<p>İGS-2103</p> 
<p>REDUCTION ELBOW</p>	<p>ELBOW DN180</p>	<p>O RING</p>	<p>TAPERED TUBE 1240MM</p>

İGS-2104



TAPERED TUBE 1550MM

İGS-2105



TAPERED TUBE 1600MM

İGS-2106



TAPERED TUBE 2500MM

İGS-2107



TAPERED TUBE 3000MM